

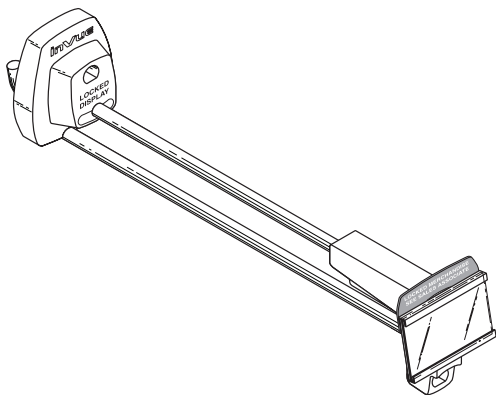
# invue

**SH500**

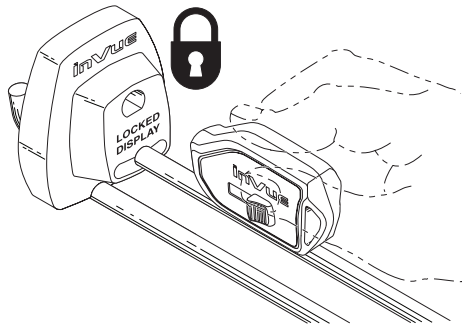
Locking Hook

SFL01, SFL01E, SFL03,

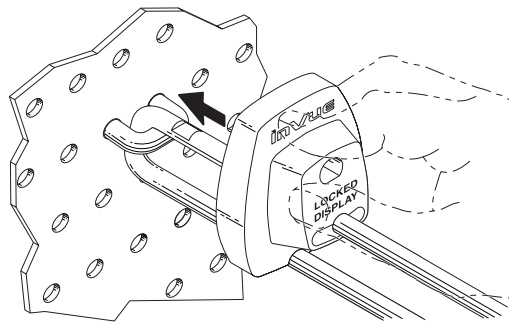
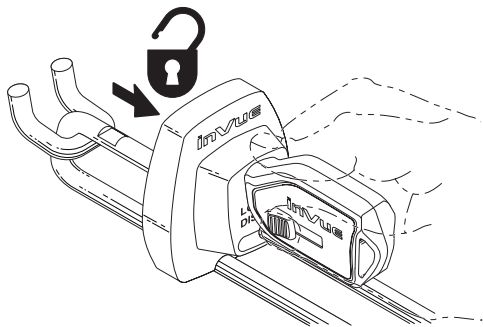
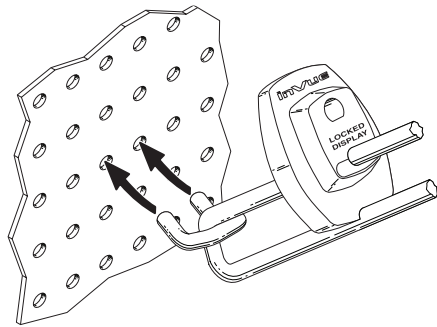
SFL04, SFL05, SFL05E



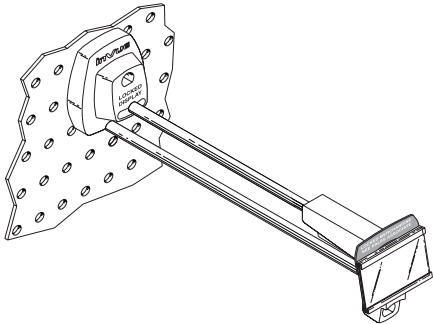
1



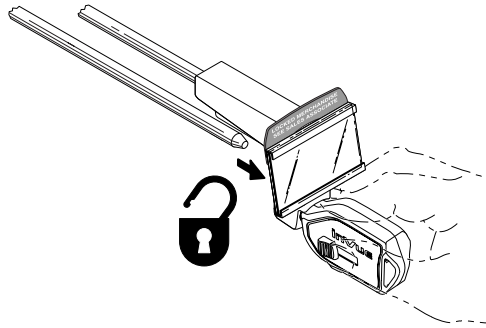
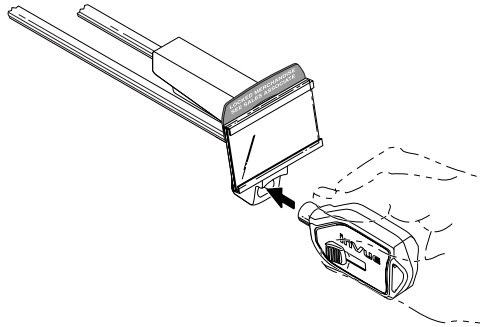
2



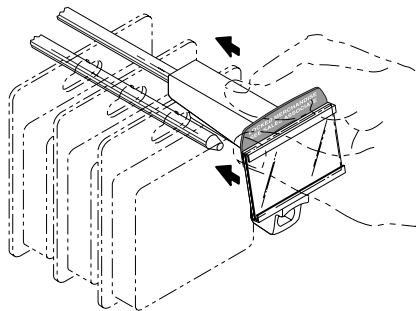
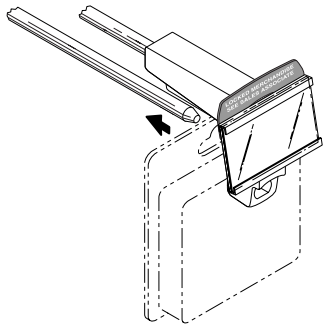
3



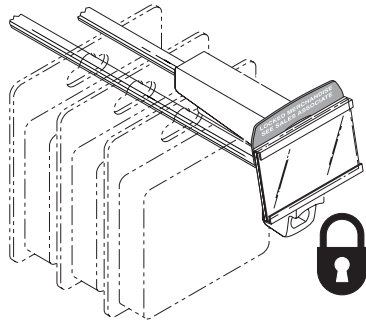
4



5



6



**invUE**<sup>®</sup>

tough security made easy

**[www.invuesecurity.com](http://www.invuesecurity.com)**

**Corporate Office (North America) // 704.752.6513 • 888.55.INVUE**

**Europe, Middle East & Africa // +31.23.8900150**

**Asia Pacific // +852.3127.6811**

**Latin America // +52.55.90003957**

© 2014 InVue Security Products Inc. All rights reserved.

InVue is a registered trademark of InVue Security Products.